



河谷 (HERG) 牌 DC 電磁潤滑泵
HERG BRAND DC ELECTROMAGNETIC LUBRICATION PUMP

使用說明書

OWNER'S MANUAL

广东河谷流体科技股份有限公司
Guangdong Herg Fluid Technology Co.,Ltd

目 錄

CONTENT

一、用途與特性	1
二、產品規格及技術參數	3
三、外形和安裝尺寸	6
四、潤滑泵使用方法與調試	8
五、維護與保養	10
六、附裝箱單	11
七、電磁泵接線說明	13
八、附用戶意見徵求表	14
I. APPLICATIONS AND FEATURES	2
II. PRODUCT SPECIFICATIONS AND TECHNICAL PARAMETERS	3
III. OVERALL AND INSTALLATION DIMENSIONS	6
IV. LUBRICATION PUMP OPERATION AND ADJUSTMENT INSTRUCTIONS	8
V. MAINTENANCE	11
VI. PACKING LIST	11
VII. ELECTROMAGNETIC PUMP WIRING ILLUSTRATION	13
VIII. CUSTOMER FEEDBACK FORM	15

由衷的感謝您選用“河谷”（HERG）牌DC電磁潤滑泵。本公司生產的“河谷”（HERG）牌集中潤滑裝置系列產品，包括有手動、電動、氣動稀油、黃油潤滑泵、內藏程式控制齒輪潤滑泵，與之配套的分配器，是引進日本國日本油機株式會社的先進技術設備及檢測設備生產的。在使用前請您詳細閱讀本說明書，正確地掌握潤滑泵的使用方法，以充分利用它的優異性能。多謝合作！

Thank you indeed for choosing HERG brand DC electromagnetic lubrication pump. The HERG brand series of centralized lubrication products manufactured by our company include manual and motor-driven oil and grease pumps, lubrication pumps with built-in programmable gears as well as matched distributing devices. All products are manufactured with the latest technologies, facilities and testing instruments imported from Japan Lubricator Corporation of Japan. Please carefully read this manual before using the product so as to master correct lubrication pump operation methods as well as its superior features. Thanks for your cooperation!

一、用途與特性

DC電磁潤滑泵是適應市場，滿足客戶需求，為各類中、小型機械配套而設計製造。確保各類型機械產品的潤滑性能，延長機械設備的

使用壽命和精度。

DC電磁潤滑泵可與抵抗式分配器組成潤滑系統對各潤滑點進行按比例注油潤滑。尤其配合本公司生產的專利產品抵抗式分配器使用，更能充分發揮潤滑效果。

DC電磁潤滑泵的輸入電壓有AC220V、AC110V兩種。根據用途不同和使用該泵的用戶的主機不同可選購不同型號的潤滑泵。

特徵：

- 1、安裝方便，接線簡單。
- 2、零件精度高，輸出量準確、穩定。

I. Applications and features

DC type electromagnetic lubrication pump is designed and manufactured for various kinds of medium and small size machinery, to meet the needs of the market and to satisfy the requirements of customers. It guarantees lubrication of various kinds of machinery, for longer the service life and better precision of machinery.

DC type electromagnetic lubrication pump can form a lubrication system together with resist-type distributor for proportional lubrication of each lubrication point. It can achieve particularly good lubrication performance if matching with resist-type distributor made by our company.

DC type electromagnetic lubrication pump is supplied in AC220V version and AC110V version, to be chosen for different applications or different machines of users.

Features:

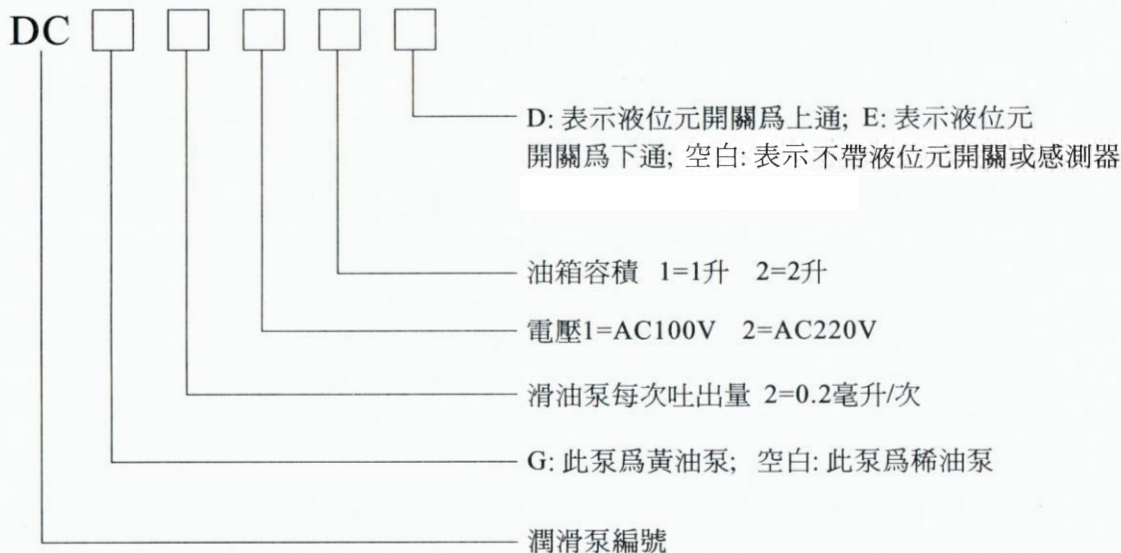
- A. Ease of installation and simple wiring.
- B. High-precision parts for accurate and stable discharge.

二、產品規格及技術參數

II. Product specifications and technical parameters

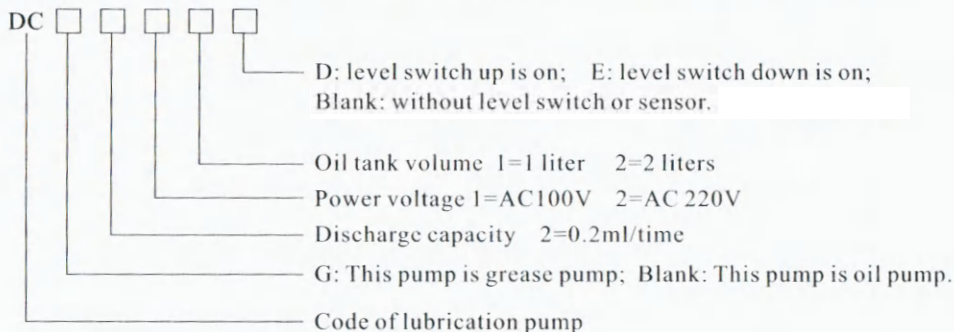
型號 Model	電壓 Voltage (V)	最大壓力 Max. Pressure (Mpa)	吐出流量 Discharge Capacity (ml/time)	使用粘度範圍 Oil viscosity (c.st.)
DC-212	AC 100	2.0	0.2	30~1000
DC-222	AC 220			
DCG-212	AC 100	2.0	0.2	00# or 000#
DCG-222	AC 220			

DC 電磁潤滑泵型號標識及其說明



示例：DC-222E表示每次吐出量為0.2毫升，電壓為AC220V，液位元開關為下通，油箱容積為2升的稀油電磁潤滑泵；DCG-221表示每次吐出量為0.2毫升電壓為AC220V，油箱容積為1升的油脂電磁潤滑泵。

DC type electromagnetic lubrication pump model number and explanations

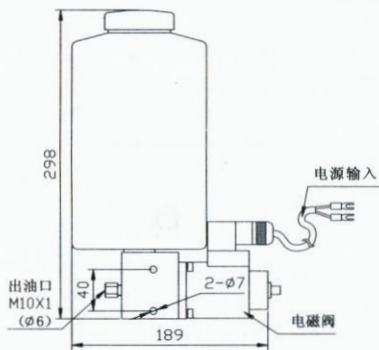


Example: DC-222E indicates that it is an oil electromagnetic lubrication pump with discharge capacity of 0.2ml/time, with AC 220V power supply, with oil tank volume of 2 liters; level switch down is on. DCG-221 indicates that it is an oil electromagnetic lubrication pump with discharge capacity of 0.2ml/time, with AC 220V power supply, with oil tank volume of 1 liter.

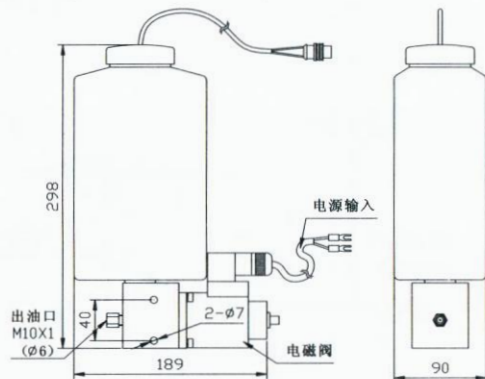
三、外形和安裝尺寸

III. Overall and installation dimensions

DC-222:



DC-222E:

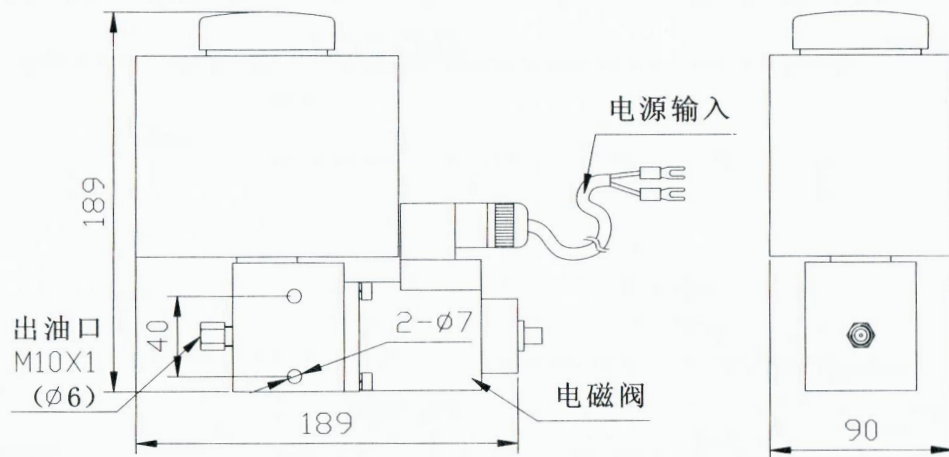


电源输入 Power input

出油口 Oil outlet

电磁阀 Electromagnetic valve

DC-221、DCG-221:



四、潤滑泵使用方法與調試

IV. Lubrication pump operation and adjustment instructions

- 1、向油箱注入適量未使用過的清潔的潤滑油。
- 2、按第7頁的接線圖接通主機電源，使用電壓要與銘牌指示一致。
- 3、電磁閥工作時間由主機電腦控制，用戶可根據需求設定工作時間參數，電磁閥動作（電磁閥通電）時間1秒，電磁閥休止（電磁閥斷電）時間可自由設置，但必須大於2秒。電磁閥動作（電磁閥通電）休止（電磁閥斷電）各一次為一個工作循環，每一個工作循環吐出油量為0.2ml。
- 4、往復打油數次，排盡系統內空氣，直至各出油口出油量穩定為止。

例如：某設備對潤滑的要求每小時潤滑一次，每次潤滑油量2ml。計算如下 $2\text{ml} \div 0.2\text{ml}/\text{循環} = 10$ 循環，則需要電磁泵打油10個循環。對該設備的潤滑控制要求如下：plc輸出開關閉合（電磁閥通電）時間1秒，plc輸出開關斷

開（電磁閥斷電）時間2秒。閉合1秒斷開2秒為一個工作循環，如此循環往復打油10個工作循環（即打油時間為 $10 \times (1\text{秒} + 2\text{秒}) = 30\text{秒}$ ）以後，plc輸出開關斷開59分鐘30秒。

然後再循環往復打油10個工作循環（即打油30秒），plc輸出開關再斷開59分鐘30秒。如此循環動作。

- (1) Inject proper amount of unused clean lubrication oil in the oil tank.
- (2) Connect main equipment power according to the wiring diagram at Page 7. Make sure the power voltage used is the same as indicated on the plate.
- (3) Operation time of electromagnetic valve is controlled by main equipment computer. User can set operation time parameters as required. Action time of electromagnetic valve is 1 second, and intermittent time of electromagnetic valve can be set at will, but must be longer than 2 seconds. Once electromagnetic valve action (electromagnetic connecting current) and one pause (electromagnetic with no current) form a working cycle, and each working cycle has oil discharge of 0.2ml.

(4) Pump oil for several times to drain all air inside the system, until each oil outlet achieves stable oil discharge. For instance: A kind of equipment requires lubrication once per hour, 2ml per time. Calculation shall be $2\text{ml} \div 0.2\text{ml} / \text{cycle} = 10$ cycles, which means electromagnetic pump operates for 10 cycles. The control of lubrication of this equipment shall be: PLC output switch close (electromagnetic connecting current) for 1 second; PLC output switch open (electromagnetic with no current) for 2 seconds. 1-second close and 2-second open form a working cycle, and after pumping oil for 10 such cycles (oil pumping time shall be $10 \times (1\text{s} + 2\text{s}) = 30\text{s}$), PLC output switch open for 59 minutes and 30 seconds. And then pumping oil for 10 cycles (oil pumping time 30s) again before PLC output switch open for another 59 minutes and 30 seconds. Operation shall repeat like this.

五、維護與保養

1、為了您的機器和潤滑系統正常工作，務必使用清潔的潤滑油，並保持潤滑油的清潔。

2、每半年必須檢查和清洗油箱及濾油網，以防堵塞吸油口濾網，造成油泵吐出量減少和壓力不足。

3、油泵接通電源後，禁止打開微電腦頂罩殼，以防發生電擊傷人、火災事故。

V. Maintenance

1. In order that your machine and lubrication system work properly, you must use clean lubrication oil and keep the oil clean.
2. Oil tank and oil intake filter must be checked and cleaned every half year, to avoid inadequate oil discharge and pressure resulted from filter blocking.
3. After oil pump is powered on, microcomputer cover must not be opened, to prevent electric shock or fire.

六、附裝箱單

VI. Packing list

名稱	規格	數量	備註
電磁潤滑泵		1 台	
內六角圓頭螺釘	M6X70	2 個	
彈簧墊圈	6	2 個	
產品說明書		1 本	
用戶意見徵求表		1 份	附產品說明書後

Description	Specification	Quantity	Remarks
Electromagnetic lubrication pump		1 set	
Hex socket button cap screw	M6 X 70	2 pieces	
Spring washer	6	2 pieces	
Owner's Manual		1 copy	
User Feedback Form		1 copy	Attached to Owner's Manual

七、電磁泵接線說明

VII. Electromagnetic pump wiring illustration



电磁阀 Electromagnetic valve
继电器 Relay
输出开关 Output switch
单相 Single phase

用戶意見徵求表

年 月 日

用戶名稱		聯系地址		產品型號	
供貨單位		製造編號		購買日期	
用戶意見	<p>您在使用本公司“河谷”（HERG）牌產品的過程中存在那些問題，性能如何，有何改進意見及要求，請列舉出來：</p>				
說明	<p>本意見表請寄：河谷流體科技股份有限公司客戶服務部 地址：廣東省佛山市禪城區國家高新技術產業開發區羅格圍工業園禪秀路18號 （季華大橋西500米、一環西季華出口東300米處） 電話：(0757) 82011888 傳真：(0757) 82817096 郵編：528000</p>				

CUSTOMER FEEDBACK FORM

Date:

User's Name		Address		Product Model	
Supplier		Serial Number		Date of Purchase	
User's Words	Please list the problems you meet with when using our HERG brand product, as well as your suggestions on product performance and your requirements:				
Remarks	<p>Please send this form to: customer service department of HERG Fluid Technology Co., Ltd. Address: No. 18 Chan Xiu Road, Jacques Rogge Wai Industrial Park, Chancheng District, Foshan City, Guangdong Province (500m west of Ji Hua Bridge, 300m east of the first ring road west of Ji Hua Export) Tel: 0757-82011888 Fax: 0757-82817096 Postal Code: 528000</p>				

广东河谷流体科技股份有限公司

總公司：廣東省佛山市禪城區國家高新技術產業開發區羅格圍工業園禪秀路(季華大橋西500米、
一環西季華出口東300米處)

電話：0757-(總機)820 11888

傳真：828 17096

郵編：528000

E-mail: herg1@126.com

<http://www.herg.com.cn>

江蘇直銷聯絡處: Tel: 18029268601

上海直銷聯絡處: Tel: 18029268610 021-54812201 傳真: 021-54812692

成都直銷聯絡處: Tel: 18029268603 028-83270848 傳真: 028-83270848

浙江直銷聯絡處: Tel: 13386615160 0574-87110862 傳真: 0754-87117942

長沙直銷聯絡處: Tel: 18029268696

西安直銷聯絡處: Tel: 18029268621 029-87429954 傳真: 029-87429954